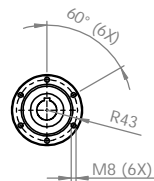
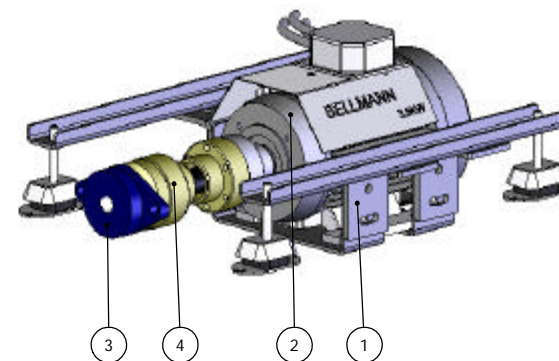
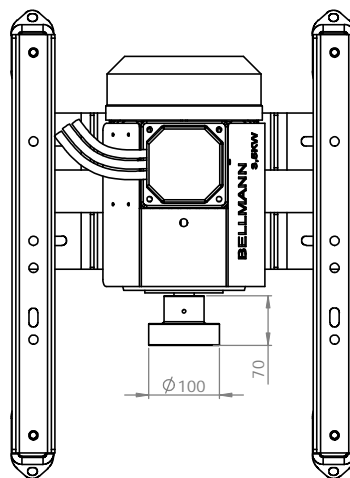
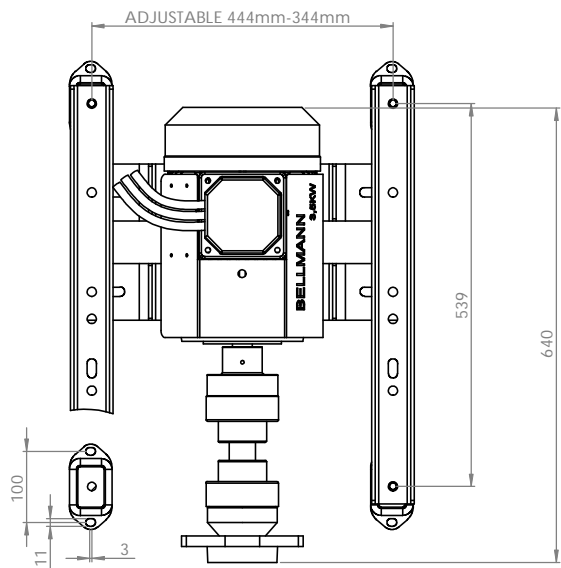
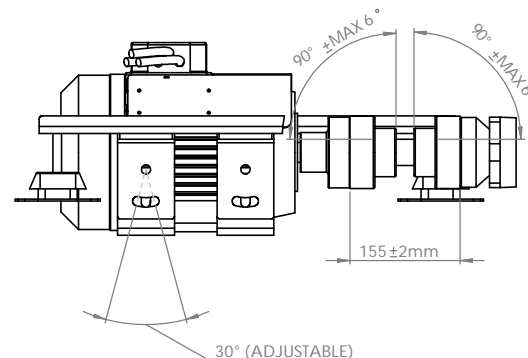
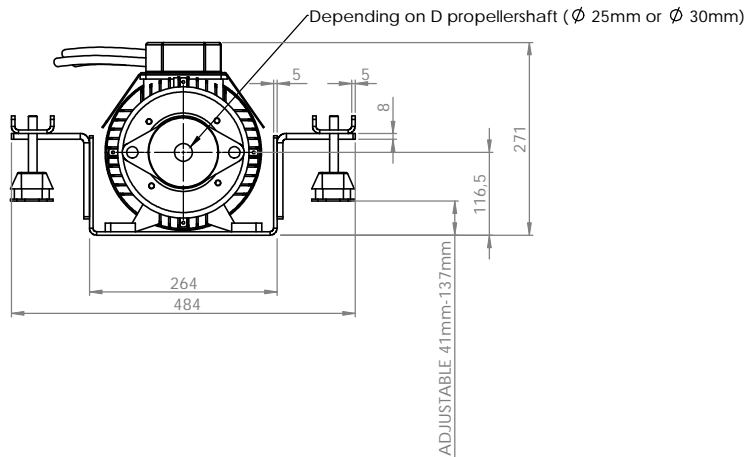


NOTE:
HOMOKINETIC COUPLING
MUST BE AT LEAST ± 1°
EXCENTRIC (LUBRICATION)



ITEM NO.	PART NUMBER	DESCRIPTION	QTY.
1	Mounting bracket 3.5KW		1
2	Electric motor 3.5KW		1
3	Thrust bearing	A-Flex optional	1
4	Homokinetic coupling 108 25mm	A-Flex optional	1

UNLESS OTHERWISE SPECIFIED:
DIMENSIONS ARE IN MILLIMETERS
SURFACE FINISH:
TOLERANCES:
LINEAR
ANGULAR

FINISH:

DEBurr AND
BREAK SHARP
EDGES

DO NOT SCALE DRAWING

REVISION 1

MASTERVOLT
THE POWER TO BE INDEPENDENT

NAME: _____ SIGNATURE: _____ DATE: _____

DRAWN: CVD

CHK'D:

APPV'D:

MFG:

C.A. _____ MATERIAL: _____

WEIGHT: _____

TITLE:
SILENT PROP 3,5KW

DWG NO:
Ass Silent Prop 3,5KW

A2

SCALE: 1:5

SHEET 1 OF 1